

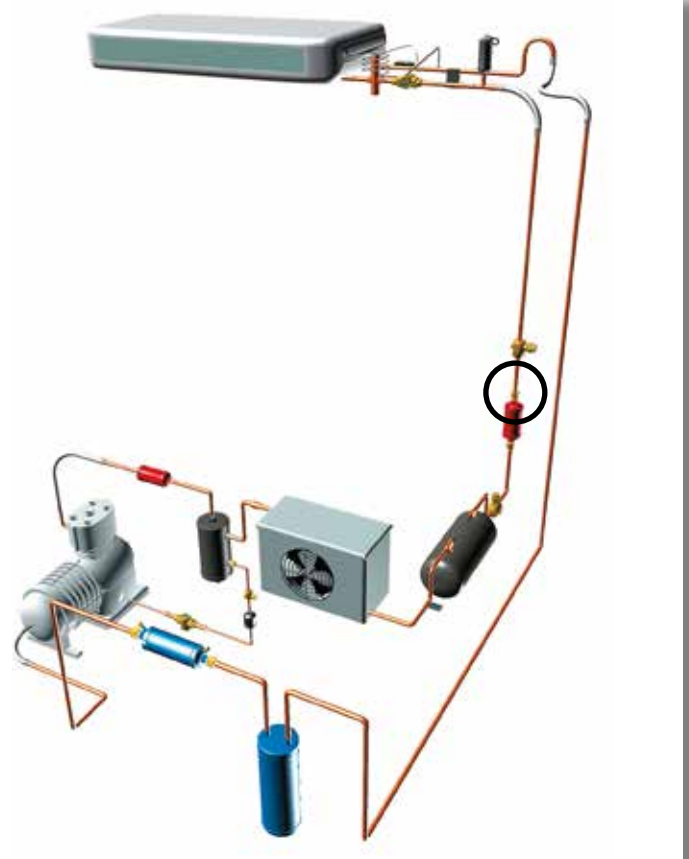
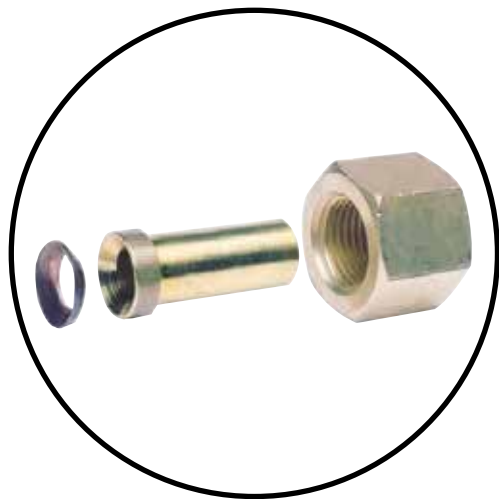


Connection sets

→ KRCY

■ Applications

- The connection sets can be used with all line components equipped with SAE connections to screw, in refrigerating and air conditioning installations.
- They ensure perfect air-tightness, even after several replacements of components, and facilitate maintenance conditions.



■ Functional features

- Products are compatible with HFCs, HCFCs, HFOs, CO₂ as well as with their associated oils and additives. Products are designed for use of non-hazardous refrigerants from group 2 of PED 2014/68/EU. To use CARLY components with fluids of the hydrocarbon group 1 - contact CARLY technical department.
- Product classification in CE categories is performed using the PED 2014/68/EU table, corresponding to a nominal diameter-based selection.
- The connection sets are composed of a brass dudgeon, a brass nut and a guided copper ring (except KRCY 6 S/MMS).
- The dudgeon is brazed on the piping on one side and the nut is screwed on a component on the other; the guided copper ring is positioned at the end of the dudgeon, in a specifically designed housing.
- For each model, connection sets are supplied in plastic bags containing 10 complete sets each. To avoid any risk of deterioration, 10 copper seals are packed in a reinforced cardboard box.

■ CARLY advantages

- Maximum working pressure 46 bar.
- Compared with a traditional mounting (dudgeon on copper piping), the connection sets:
 - ensure higher air tightness
 - increase the connection's reliability in time
 - allow numerous mountings and removals of components, at a lower cost and without work hardening or rupture of the piping dudgeon, which are major sources of refrigerant leaks.



Connection sets

→ KRCY

■ Warning

Before selecting or installing any component, please refer to the chapter 0 - **WARNING**.

■ General assembly precautions

The installation of a component in a refrigeration system by a skilled professional, requires some precautions:

- Some are specific to each component, and in this case, they are specified in the

RECOMMENDATIONS SPECIFIC part defined hereafter ;

- Other are general to all CARLY components, they are presented in the chapter 115 – **GENERAL ASSEMBLY PRECAUTIONS**.

- The recommendations relating to the CARLY components for the subcritical CO₂ applications are also developed in chapter 115 – **GENERAL ASSEMBLY PRECAUTIONS**.

■ Recommendations specific to the connection sets KRCY

- When mounting the connection sets, it is imperative to ensure a good positioning of the copper gaskets in their housing, in order avoid them any abnormal deformation during tightening.
- The tightening of the connection sets on the components must imperatively be made with two open-end spanners, in order to avoid the twisting of the pipes, and the deterioration of their brass nut (tightening with pliers proscribed).
- It is imperative to respect the tightening torques listed in the table below.
- After each removal, imperatively replace the copper gaskets.



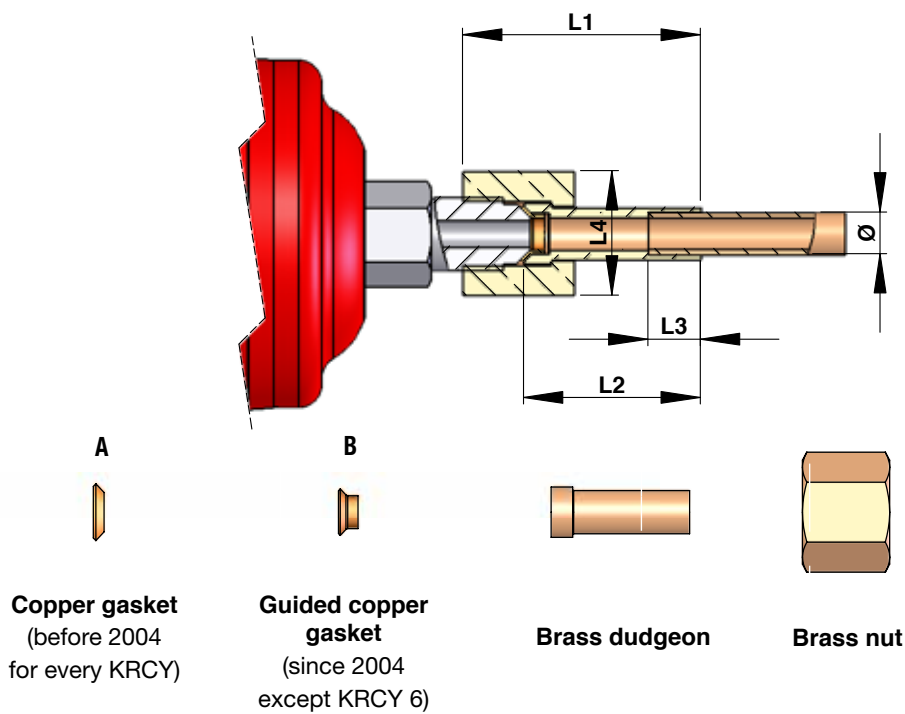
Connection sets

CTCY-EN - 71.1-6 / 09-2022

→ KRCY

■ Technical features

CARLY references	Connections To screw SAE inch	Connections To solder Ø ODF inch	CARLY references	Connections To screw SAE inch	Connections To solder Ø ODF mm	Gasket type	Dimensions mm				Maximum tightening torque N.m
							L1	L2	L3	L4 upper faces	
KRCY 2 S	1/4	1/4	KRCY 2 MMS	1/4	6	B	36	27	8	19	20
KRCY 3 S	3/8	3/8	KRCY 3 MMS	3/8	10	B	41	31	12	24	45
KRCY 4 S	1/2	1/2	KRCY 4 MMS	1/2	12	B	46	33	12	27	60
KRCY 5 S/MMS	5/8	5/8	KRCY 5 S/MMS	5/8	16	B	51	35	15	30	80
KRCY 6 S	3/4 BSP	3/4	KRCY 6 MMS	3/4 BSP	18	A	55	37	15	36	85
KRCY 23 S	3/8	1/4	KRCY 23 MMS	3/8	6	B	37	27	8	24	45
KRCY 34 S	1/2	3/8	KRCY 34 MMS	1/2	10	B	44	31	12	27	60



CARLY references	Nominal diameter	CARLY references	Nominal diameter	Maximal working pressure	Working pressure (¹)	Maximal working temperature	Minimal working temperature	Working temperature (¹)	CE Category (²)
	DN inch		DN mm						
KRCY 2 S	1/4	KRCY 2 MMS	6	46	15	120	-40	-30	Art4§3
KRCY 3 S	3/8	KRCY 3 MMS	10	46	15	120	-40	-30	Art4§3
KRCY 4 S	1/2	KRCY 4 MMS	12	46	15	120	-40	-30	Art4§3
KRCY 5 S/MMS	5/8	KRCY 5 S/MMS	16	46	15	120	-40	-30	Art4§3
KRCY 6 S	3/4	KRCY 6 MMS	18	46	15	120	-40	-30	Art4§3
KRCY 23 S	1/4	KRCY 23 MMS	6	46	15	120	-40	-30	Art4§3
KRCY 34 S	3/8	KRCY 34 MMS	10	46	15	120	-40	-30	Art4§3

⁽¹⁾ The working pressure is limited to the PS BT value when working temperature is lower than or equal to TS BT value.

⁽²⁾ Classification by diameter, according to PED 2014/68/EU (refer to chapter 0).

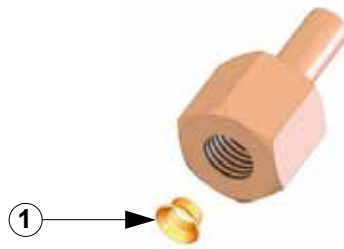


Connection sets

→ KRCY

■ Spare parts

CARLY references		Part Nb	Description	Quantity
Types	Spare parts			
2 S/MMS before 2004	CY 15590010	1	Set of 25 copper taper gaskets for 1/4" SAE connection	1
2 S/MMS after 2004	CY 15590015	1	Set of 25 guided taper copper gaskets for 1/4" SAE connection	1
3 S/MMS - 23 S/MMS before 2004	CY 15590020	1	Set of 25 copper taper gaskets for 3/8" SAE connection	1
3 S/MMS - 23 S/MMS after 2004	CY 15590025	1	Set of 25 guided taper copper gaskets for 3/8" SAE connection	1
4 S/MMS - 34 S/MMS before 2004	CY 15590030	1	Set of 25 copper taper gaskets for 1/2" SAE connection	1
4 S/MMS - 34 S/MMS after 2004	CY 15590035	1	Set of 25 guided taper copper gaskets for 1/2" SAE connection	1
5 S/MMS before 2004	CY 15590040	1	Set of 25 copper taper gaskets for 5/8" SAE connection	1
5 S/MMS after 2004	CY 15590045	1	Set of 25 guided taper copper gaskets for 5/8" SAE connection	1
6 S/MMS	CY 15590050	1	Set of 25 copper taper gaskets for 3/4" SAE connection	1



■ Weights and packaging

CARLY references	Unit weight kg		Packaging number of pieces	CARLY references	Unit weight kg		Packaging number of pieces
	With packaging	Without packaging			With packaging	Without packaging	
KRCY 2 S & MMS	0,041	0,040	10	KRCY 6 S & MMS	0,186	0,185	10
KRCY 3 S & MMS	0,066	0,065	10	KRCY 23 S & MMS	0,071	0,070	10
KRCY 4 S & MMS	0,091	0,090	10	KRCY 34 S & MMS	0,101	0,100	10
KRCY 5 S/MMS	0,116	0,115	10				

- 1 KRCY consists of 1 dudgeon, 1 nut and 1 taper copper gasket.
- The KRCY are sold in multiples of 10 pieces.