

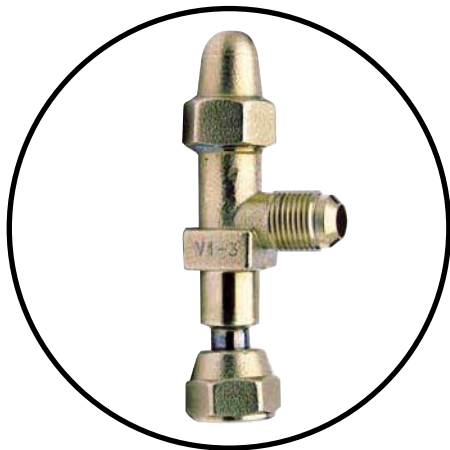
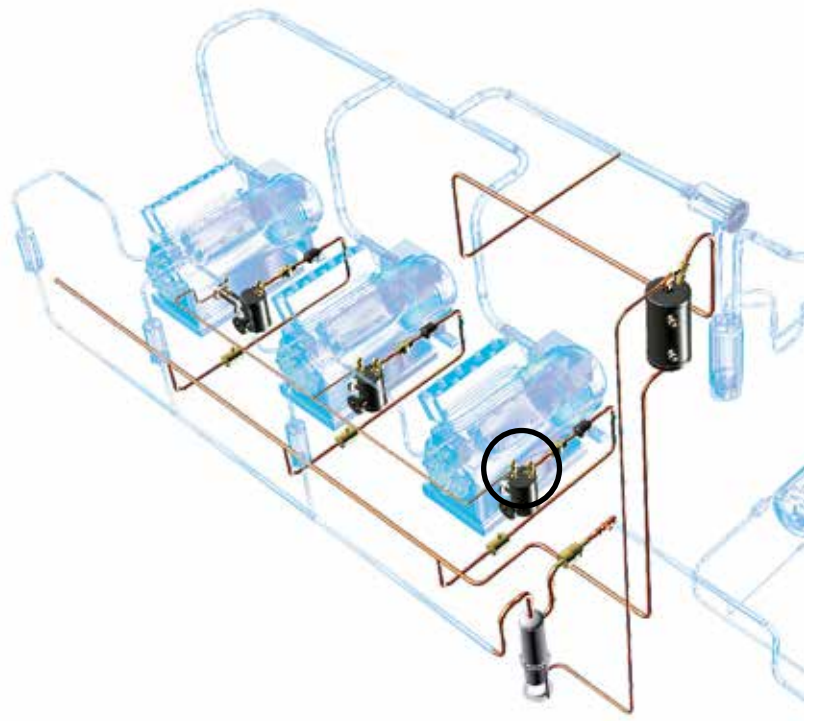


## Isolation valves for oil level regulators

### → HCYVI

#### ■ Applications

- Isolation of LEVOIL oil level regulators of refrigerating and air conditioning installations, in order to facilitate the oil line maintenance operations.



#### ■ Functional features

- Products are compatible with HFCs, HCFCs, CFCs, CO<sub>2</sub> as well as with their associated oils and additives. Products are designed for use of non-hazardous refrigerants from group 2 of PED 2014/68/EU. To use CARLY components with fluids of the hydrocarbon group 1 - Propane R290, Butane R600, Isobutane R600a, Propylene R1270 - with HFOs and transcritical CO<sub>2</sub> and for a RANKINE organic cycle application, contact CARLY technical department.
- Product classification in CE categories is performed using the PED 2014/68/EU table, corresponding to a nominal diameter-based selection.
- 8 mm square section inspection rod to be handled with appropriate tool.
- Neoprene® internal O-rings.
- Delivered with a copper gasket for the revolving side of the nut.

#### ■ CARLY advantages

- Maximum working pressure.
- Those isolation valves may be mounted on low and high pressure (up to 46 bar) oil return systems.
- Connection to the 360° adjustable oil level regulator thanks to a revolving nut.
- The body and internal needle valve in brass, combined with a robust stainless steel dudgeon guarantee a perfect resistance to corrosion.
- Fully waterproof screwed cap protects against any accidental operation of the adjustment rod.
- Possibility to have vertical and horizontal valves (H in 3/8" version with compact size in height).



CTCY-EN – 50.1-4 / 02-2018

# Isolation valves for oil level regulators

## → HCYVI

### ■ Warning

Before selecting or installing any component, please refer to the chapter 0 - **WARNING**.

### ■ General assembly precautions

The installation of a component in a refrigeration system by a skilled professional, requires some precautions:

- Some are specific to each component, and in this case, they are specified in the

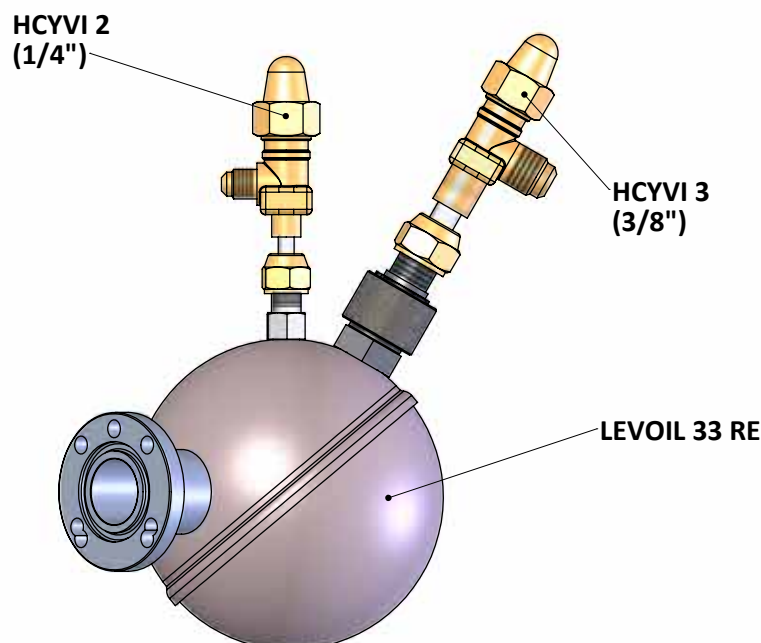
**RECOMMENDATIONS SPECIFIC** part defined hereafter ;

- Other are general to all CARLY components, they are presented in the chapter 115 – **GENERAL ASSEMBLY PRECAUTIONS**.

- The recommendations relating to the CARLY components for the subcritical CO<sub>2</sub> applications are also developed in chapter 115 – **GENERAL ASSEMBLY PRECAUTIONS**.

### ■ Recommendations specific to the isolation valves HCYVI

- The isolation valves are to be mounted on the oil level regulators:
  - HCYVI 3 : on the 3/8" SAE oil inlet connection
  - HCYVI 2 : on the 1/4" SAE pressure equalization connection and oil inlet (LEVOIL 22)
- The tightening of the isolation valves must imperatively be made with two open-end spanners, in order to avoid the twisting of the pipes, and the deterioration of their brass body (tightening with pliers proscribed).
- During installation of the isolation valves, carefully watch the correct positioning of the supplied copper seals.
- After every disassembly of the isolation valves, it is imperative to replace the copper gasket before the re-assembly.





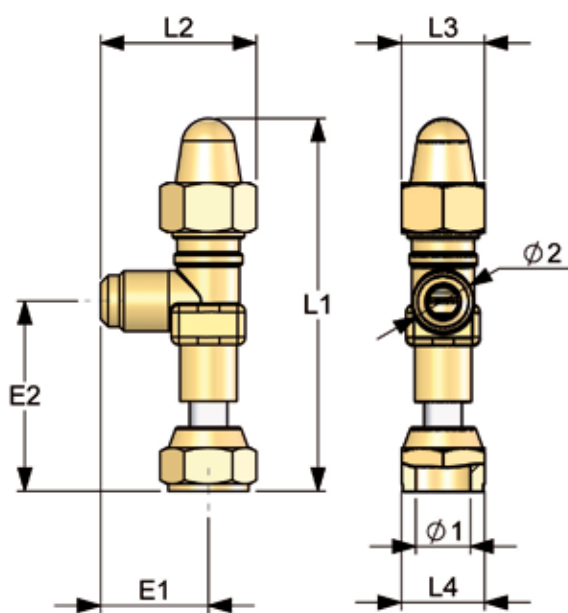
# Isolation valves for oil level regulators

## → HCYVI

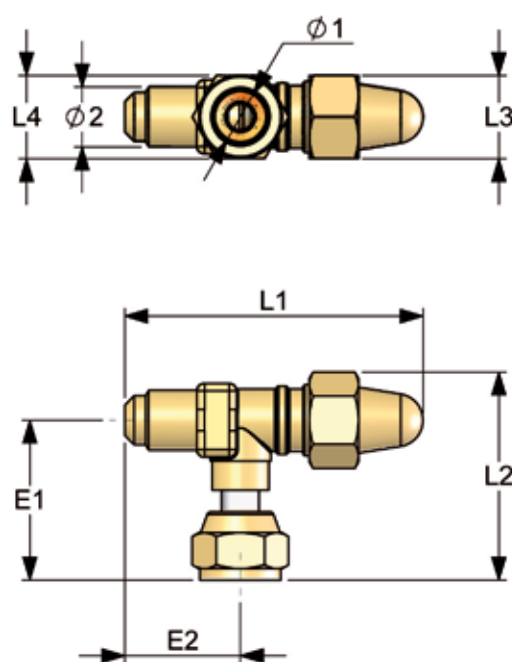
### ■ Technical features

CARLY references	Connections To screw SAE		Drawing Nb	Dimensions mm					
	Ø1 inch	Ø2 inch		L1	L2	L3 upper faces	L4 upper faces	E1	E2
HCYVI 2	1/4	1/4	1	94	38	20	17	25	41
HCYVI 3	3/8	3/8	1	104	42	20	21	29	51
HCYVI 3H	3/8	3/8	2	83	57	20	21	43	31

①



②



CARLY references	Nominal Diameter	Maximal working pressure	Working pressure (1)	Maximal working temperature	Minimal working temperature	Working temperature (1)	CE Category (2)
	DN inch	PS bar	PS BT bar	TS maxi °C	TS mini °C	TS BT °C	
HCYVI 2	1/4	46	/	120	-20	/	Art4§3
HCYVI 3	3/8	46	/	120	-20	/	Art4§3
HCYVI 3H	3/8	46	/	120	-20	/	Art4§3

(1) The working pressure is limited to the PS BT value when working temperature is lower than or equal to TS BT value.

(2) Classification by diameter, according to PED 2014/68/EU (refer to chapter 0).

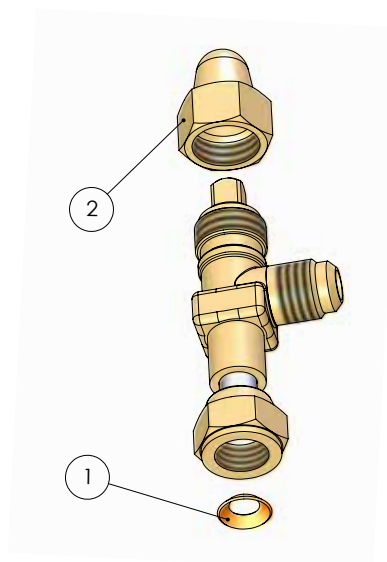
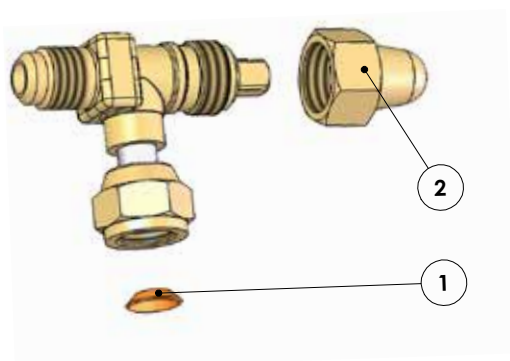


# Isolation valves for oil level regulators

## → HCYVI

### ■ Spare parts

CARLY references		Part N°	Description	Quantity
Isolation valves for oil level regulators	Spare parts			
HCYVI 2 / HCYVI 2H	<b>CY 15590010</b>	1	Set of 25 taper copper gaskets for 1/4" SAE connection	1
HCYVI 3 / HCYVI 3H	<b>CY 15590020</b>	1	Set of 25 taper copper gaskets for 3/8" SAE connection	1
HCYVI 2 / HCYVI 2H HCYVI 3 / HCYVI 3H	<b>CY 10850030</b>	2	Cap for adjustment rod	1



### ■ Weights and packaging

CARLY references	Unit weight kg		Packaging number of pieces
	With packaging	Without packaging	
HCYVI 2	0,11	0,11	1
HCYVI 3	0,20	0,20	1
HCYVI 3H	0,16	0,16	1