

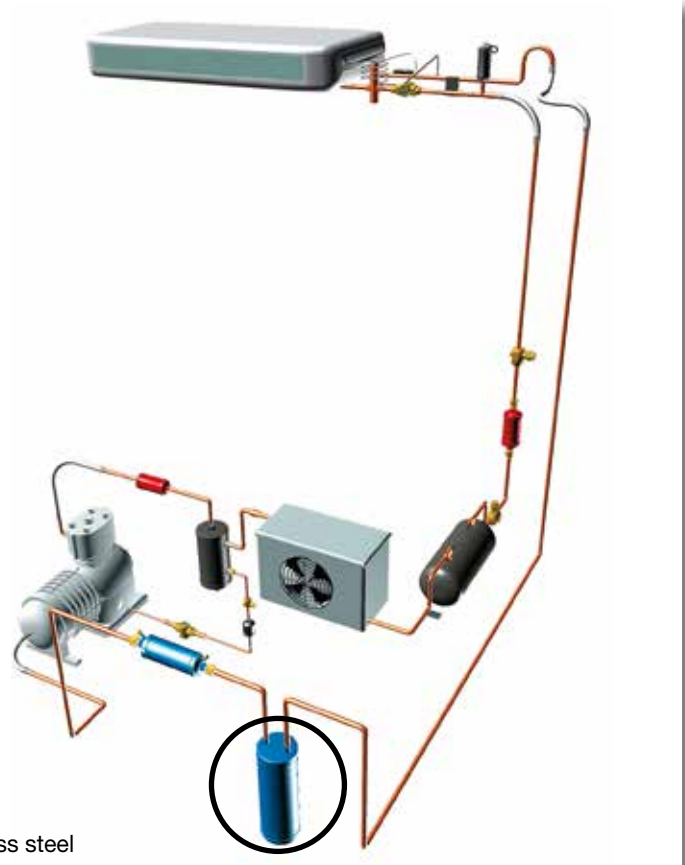


Suction line accumulators

➔ **LCY** (without heat exchanger) / **LCYE** (with heat exchanger) / **LCY-ST** (stainless steel without heat exchanger)

■ Applications

- Elimination of risks linked to the return of refrigerant in its liquid phase and to the massive oil intake at compressor's suction of refrigerating and air conditioning installations.
- The suction line accumulators LCY and LCYE are particularly recommended for installations that are:
 - ➔ exposed to sudden thermal load variations,
 - ➔ whose piping lengths are important,
 - ➔ operating with cycle inversions.
- The LCYE suction accumulators with heat exchanger are particularly recommended:
 - ➔ For installations with a low overheating of refrigerant vapours at compressor suction (liquid cooler, low temperature display cabinets, vehicle refrigerating, etc ...).
 - ➔ For installations where the suction line accumulator is positioned outside (in this case, the exchanger allows a faster reevaporation of the liquid).



Standard product



Customized product in stainless steel

■ Functional features

- Products are compatible with CFCs, HCFCs, HFCs, CO₂, as well as with their associated oils and additives. Products are designed for use of non-hazardous refrigerants from group 2 of PED 2014/68/EU. To use CARLY components with fluids of the hydrocarbon group 1 – Propane R290, Butane R600, Isobutane R600a, Propylene R1270 – with HFOs and transcritical CO₂ and for a RANKINE organic cycle application, contact CARLY technical department.
- Product classification in CE categories is performed using the PED 2014/68/EU table, corresponding to a volume-based selection.
- LCY and LCYE suction line accumulators are designed to ensure optimal separation between the vapour phase and the liquid phase of the refrigerant; only the vapour phase is aspirated by the compressor.
- Reduction of the low pressure circuit vibrations.
- **LCY-ST** : Body and connections in stainless steel 316L (better resistance to corrosion and to very low temperature).

Possible customization on demand:

- Specifics volumes and connections,
- Different supports and dimensions.

■ CARLY advantages

- Maximum working pressure: up to 46 bar.
- The pressure drops are low and never go over 0.3°C.
- The heat exchanger allows the increase of the refrigerant's refrigerating effect, by high pressure liquid sub-refrigerating, upstream of the pressure relief valve; it therefore prevents the risks of gas presence at the intake of the pressure relief valve.
- A hole on the lower part of the inner rod ensures liquid expansion and return to the compressor of the oil that could be trapped inside the suction line accumulator.
- From models LCY(E) 1517 S/MMS, presence of a connection on the low part for an oil return by gravity.
- A very large range of suction line accumulators is available, from 0.9 to 70 litres.



Suction line accumulators

→ **LCY** (*without heat exchanger*) / **LCYE** (*with heat exchanger*) / **LCY-ST** (*stainless steel without heat exchanger*)

■ Warning

Before selecting or installing any component, please refer to the chapter 0 - **WARNING**.

■ General assembly precautions

The installation of a component in a refrigeration system by a skilled professional, requires some precautions:

- Some are specific to each component, and in this case, they are specified in the

RECOMMENDATIONS SPECIFIC part defined hereafter ;

- Other are general to all CARLY components, they are presented in the chapter 115 – **GENERAL ASSEMBLY PRECAUTIONS**.

- The recommendations relating to the CARLY components for the subcritical CO₂ applications are also developed in chapter 115 – **GENERAL ASSEMBLY PRECAUTIONS**.

■ Recommendations specific to the suction line accumulators LCY / LCYE

- The capacity of the selected accumulator (Kg of fluid) must be higher than 50% of the total load in refrigerant of the installation.
- Mounting should be exclusively performed in vertical position, as close as possible to the compressor and at the same height.
- In order to avoid the freezing of the accumulators, it is advised to thematically insulate them.
- For optimal operation, the refrigerant flow speed in the suction line accumulators rods should be between 8 and 12 m/s; for lower speed values, the oil return to the compressor is unsure.
- The LCYE suction line accumulators' heat exchanger should be connected in series with the liquid line, between the installation's receiver and pressure relief valve.
- Imperative input through the connection marked "IN".
- For the model LCYE, the two connections of the exchanger can be used as input indifferently.
- The CARLY company declines any responsibility if any modifications, repairs are made by the user / buyer.



Suction line accumulators

➔ **LCY** (*without heat exchanger*) / **LCYE** (*with heat exchanger*) / **LCY-ST** (*stainless steel without heat exchanger*)

■ SELECTION OF A CARLY (LCY/LCYE) SUCTION LINE ACCUMULATOR

- 1 • The capacity of the installation should not be higher than the maximum acceptable capacity of the selected accumulator.
- 2 • The oil return is ensured when the capacity of the installation is not lower than the minimum acceptable capacity of the selected accumulator.

LCY/LCYE MODEL SELECTION USING THE INSTALLATION'S REFRIGERATING CAPACITY

- *"MAXIMUM refrigerating capacity" selection curves, according to the refrigerant used*

Carry forward on the curve the installation's refrigerating capacity and the evaporation temperature: if the operating point is between 2 curves: take the higher curve.

- *"MINIMUM refrigerating capacity" selection curves, according to the refrigerant used*

Carry forward on the curve the installation's refrigerating capacity and the evaporation temperature: the operating point should be above the curve of the accumulator selected. If this is not the case, choose a smaller accumulator.

LCY/LCYE VOLUME SELECTION USING THE INSTALLATION'S REFRIGERANT LOAD

- *Selection tables*

The capacity of the selected accumulator in kg of refrigerant at 30 °C must be higher than half the installation's total refrigerant load (except CO₂).



Suction line accumulators

→ **LCY** (without heat exchanger) / **LCYE** (with heat exchanger) / **LCY-ST** (stainless steel without heat exchanger)

■ Example of selection of a LCY suction line accumulator without heat exchanger

The sizing of a product implies for the buyer to take into account the conditions under which the product will be used (temperature - pressure - refrigerant - oil - external environment). The values of the selection tables proposed in the CARLY catalogue match accurate test conditions.

- Installation operating with R404A under the following conditions⁽¹⁾:
 - $T_0 = -10\text{ °C}$
 - $T_k = 30\text{ °C}$
 - $Q_{Ox} = 8\text{ kW}$
 - Capacity of refrigerant at 30 °C of the circuit = 5 kg
 - Suction piping = 7/8"
- Which LCY suction line accumulator to choose?

LCY MODEL SELECTION USING THE INSTALLATION'S REFRIGERATING CAPACITY

- "MAXIMUM refrigerating capacity" selection curves according to the refrigerant used

Selection curves for R 404A

$Q_{Ox} = 8\text{ kW}$

$T_0 = -10\text{ °C}$

Result:

LCY 27 S/MMS or LCY 47 S/MMS

- "MINIMUM refrigerating capacity" selection curves according to the refrigerant used

Selection curves for R 404A

Range chosen: LCY 27 S/MMS or LCY 47 S/MMS

Result:

Minimum power: 2 kW lower than 8 kW → The selection is correct

LCY VOLUME SELECTION USING THE INSTALLATION'S REFRIGERANT LOAD

- Selection table

→ Refrigerant capacity of the refrigerating circuit: 5 kg

Half the load represents: $5/2 = 2,5\text{ kg}$

LCY 27 S/MMS : 1,8 kg LCY 47 S/MMS : 2,6 kg

CARLY references	Connections To solder ODF inch	CARLY references	Connections To solder ODF mm	Capacity of accumulator kg of refrigerant at 30 °C		
				R134a R407C R22 - R407F	R404A R410A R507	R744
LCY 27 S/MMS	7/8	LCY 27 S/MMS	22	2,0	1,7	1,1
LCY 47 S/MMS	7/8	LCY 47 S/MMS	22	2,8	2,4	1,5

Result:

Among the 2 pre-selected references, the LCY 47 S/MMS accumulator should be selected because its capacity in kg of refrigerant (2.6 kg) is higher than half the installation's total refrigerant load (2.5 kg).

Insure that the connection diameter of the suction accumulator is at least equal to the diameter of the compressor suction line and of the liquid line in case of a LCYE.

⁽¹⁾ Chapter "Abbreviations and units" (refer to chapter 113).

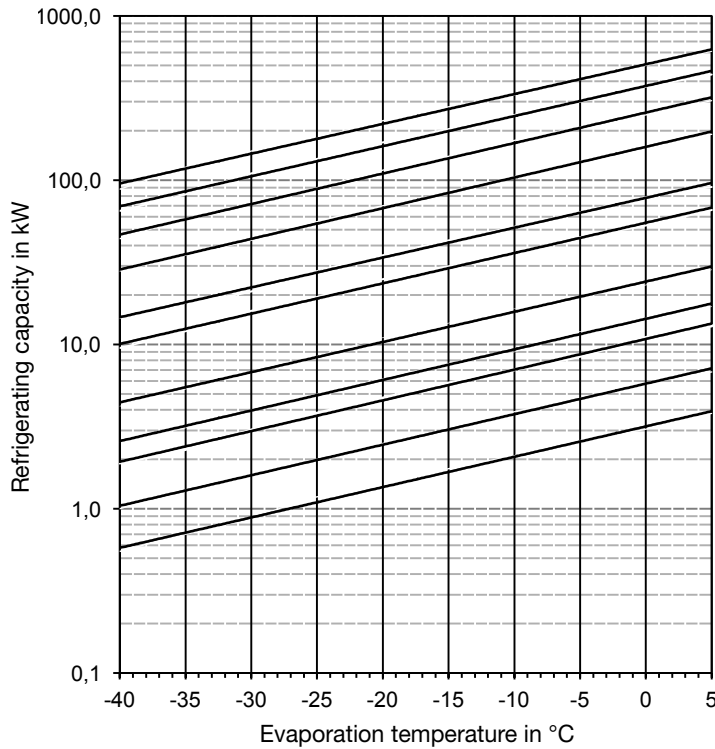


Suction line accumulators

➔ **LCY** (without heat exchanger) / **LCYE** (with heat exchanger) / **LCY-ST** (stainless steel without heat exchanger)

■ Selection curves for R22 - R404A - R507 - R407C - R410A - R407F

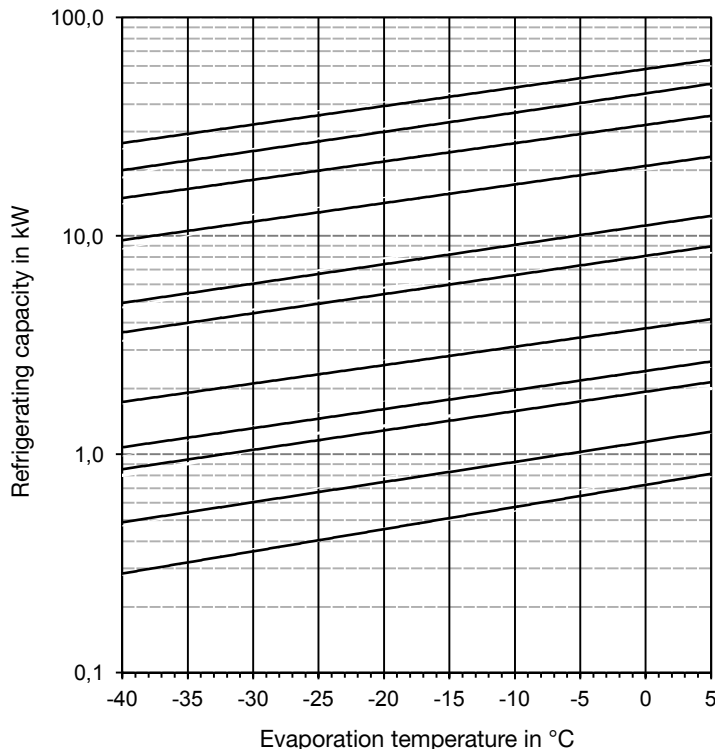
MAXIMAL REFRIGERATING CAPACITY



CARLY REFERENCES

- LCY 7029
- LCY 3625 - LCY 5025 - LCY 7025 - LCYE 3625
- LCY 3621 - LCY 5021 - LCYE 3621
- LCY 1517 - LCY 1817 - LCY 3617 - LCYE 1517
- LCY 813 - LCY 1013 - LCYE 1013 - LCY-ST 1013
- LCY 611 - LCY 811 - LCY 1011 - LCYE 811 - LCY-ST 1011
- LCY49 - LCY 69 - LCY 89 - LCYE 69 - LCY-ST 89
- LCY 27 - LCY 47 - LCYE 47
- LCY 16 - LCY 26 - LCYE 26
- LCY 15 - LCY 25 - LCYE 25
- LCY 04 - LCY 14

MINIMAL REFRIGERATING CAPACITY



CARLY REFERENCES

- LCY 7029
- LCY 3625 - LCY 5025 - LCY 7025 - LCYE 3625
- LCY 3621 - LCY 5021 - LCYE 3621
- LCY 1517 - LCY 1817 - LCY 3617 - LCYE 1517
- LCY 813 - LCY 1013 - LCYE 1013 - LCY-ST 1013
- LCY 611 - LCY 811 - LCY 1011 - LCYE 811 - LCY-ST 1011
- LCY49 - LCY 69 - LCY 89 - LCYE 69 - LCY-ST 89
- LCY 27 - LCY 47 - LCYE 47
- LCY 16 - LCY 26 - LCYE 26
- LCY 15 - LCY 25 - LCYE 25
- LCY 04 - LCY 14

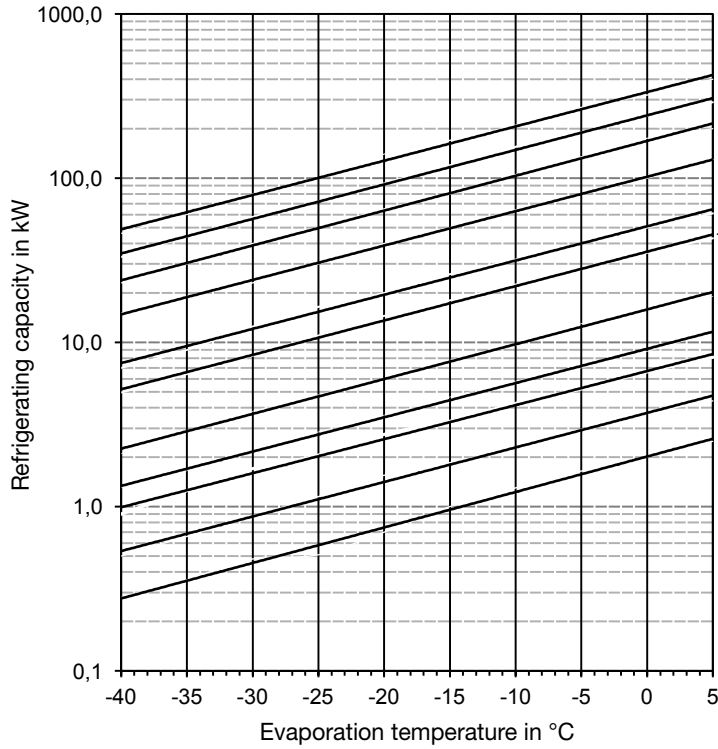


Suction line accumulators

➔ **LCY** (without heat exchanger) / **LCYE** (with heat exchanger) / **LCY-ST** (stainless steel without heat exchanger)

■ Selection curves for R134a

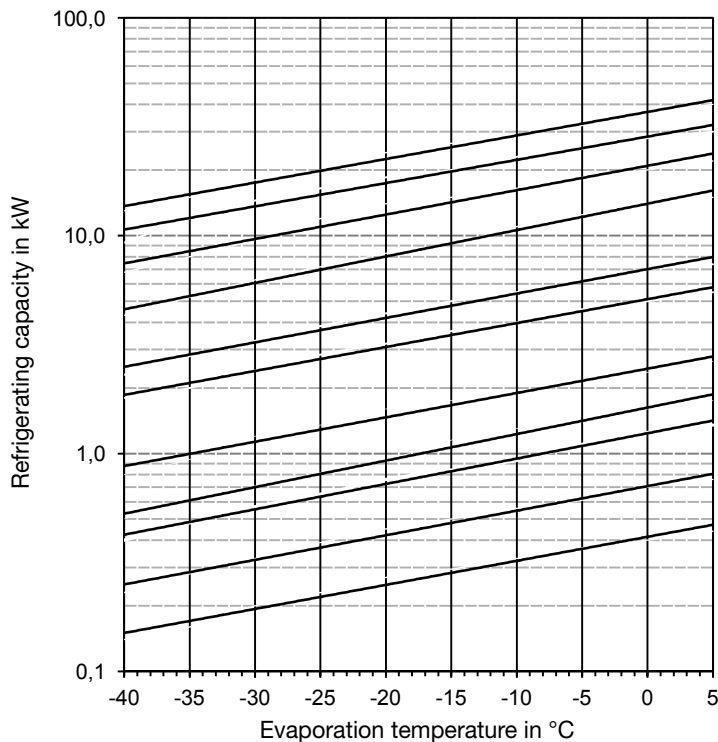
MAXIMAL REFRIGERATING CAPACITY



CARLY REFERENCES

- LCY 7029
- LCY 3625 - LCY 5025 - LCY 7025 - LCYE 3625
- LCY 3621 - LCY 5021 - LCYE 3621
- LCY 1517 - LCY 1817 - LCY 3617 - LCYE 1517
- LCY 813 - LCY 1013 - LCYE 1013 - LCY-ST 1013
- LCY 611 - LCY 811 - LCY 1011 - LCYE 811 - LCY-ST 1011
- LCY49 - LCY 69 - LCY 89 - LCYE 69 - LCY-ST 89
- LCY 27 - LCY 47 - LCYE 47
- LCY 16 - LCY 26 - LCYE 26
- LCY 15 - LCY 25 - LCYE 25
- LCY 04 - LCY 14

MINIMAL REFRIGERATING CAPACITY



CARLY REFERENCES

- LCY 7029
- LCY 3625 - LCY 5025 - LCY 7025 - LCYE 3625
- LCY 3621 - LCY 5021 - LCYE 3621
- LCY 1517 - LCY 1817 - LCY 3617 - LCYE 1517
- LCY 813 - LCY 1013 - LCYE 1013 - LCY-ST 1013
- LCY 611 - LCY 811 - LCY 1011 - LCYE 811 - LCY-ST 1011
- LCY49 - LCY 69 - LCY 89 - LCYE 69 - LCY-ST 89
- LCY 27 - LCY 47 - LCYE 47
- LCY 16 - LCY 26 - LCYE 26
- LCY 15 - LCY 25 - LCYE 25
- LCY 04 - LCY 14

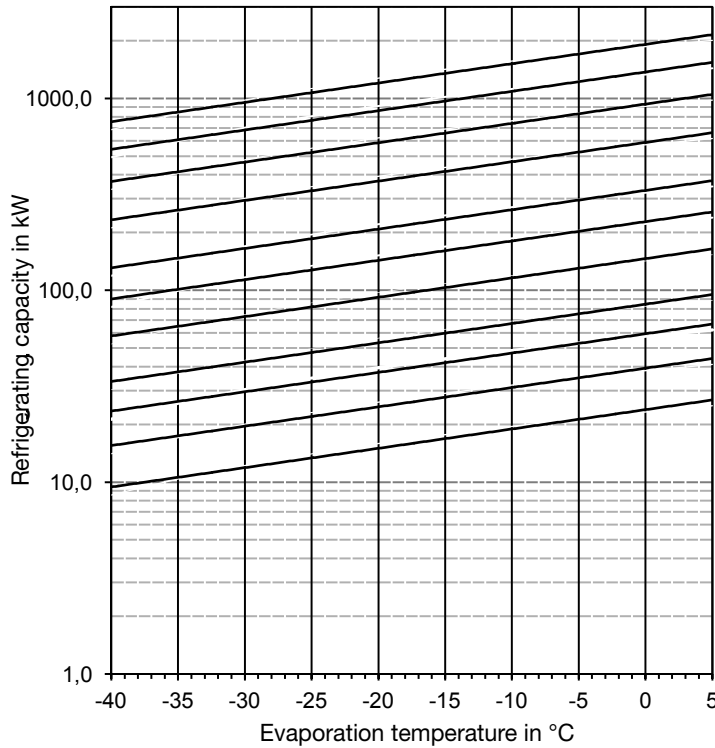


Suction line accumulators

➔ **LCY** (without heat exchanger) / **LCYE** (with heat exchanger) / **LCY-ST** (stainless steel without heat exchanger)

■ Selection curves for CO₂

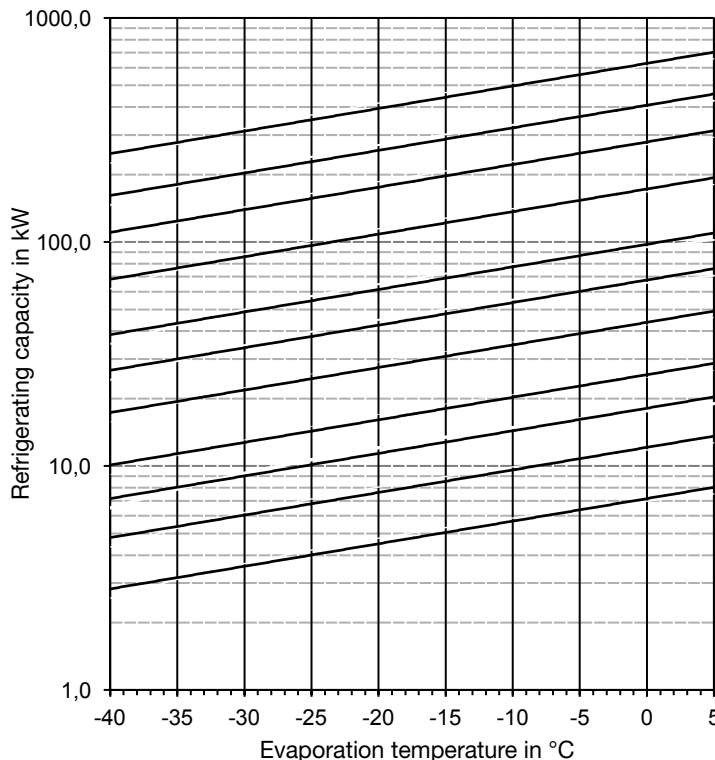
MAXIMAL REFRIGERATING CAPACITY



CARLY REFERENCES

- LCY 7029
- LCY 3625 - LCY 5025 - LCY 7025 - LCYE 3625
- LCY 3621 - LCY 5021 - LCYE 3621
- LCY 1517 - LCY 1817 - LCY 3617 - LCYE 1517
- LCY 813 - LCY 1013 - LCYE 1013 - LCY-ST 1013
- LCY 611 - LCY 811 - LCY 1011 - LCYE 811 - LCY-ST 1011
- LCY49 - LCY 69 - LCY 89 - LCYE 69 - LCY-ST 89
- LCY 27 - LCY 47 - LCYE 47
- LCY 16 - LCY 26 - LCYE 26
- LCY 15 - LCY 25 - LCYE 25
- LCY 04 - LCY 14

MINIMAL REFRIGERATING CAPACITY



CARLY REFERENCES

- LCY 7029
- LCY 3625 - LCY 5025 - LCY 7025 - LCYE 3625
- LCY 3621 - LCY 5021 - LCYE 3621
- LCY 1517 - LCY 1817 - LCY 3617 - LCYE 1517
- LCY 813 - LCY 1013 - LCYE 1013 - LCY-ST 1013
- LCY 611 - LCY 811 - LCY 1011 - LCYE 811 - LCY-ST 1011
- LCY49 - LCY 69 - LCY 89 - LCYE 69 - LCY-ST 89
- LCY 27 - LCY 47 - LCYE 47
- LCY 16 - LCY 26 - LCYE 26
- LCY 15 - LCY 25 - LCYE 25
- LCY 04 - LCY 14



Suction line accumulators

➔ **LCY** (without heat exchanger) / **LCY-ST** (stainless steel without heat exchanger)

■ Selection table

CARLY references	Connections To solder ODF inch	CARLY references	Connections To solder ODF mm	Capacity of accumulator kg of refrigerant at 30 °C		
				R134a R407C R22- R407F	R404A R410A R507	R744
LCY 04 S	1/2	LCY 04 MMS	12	0,8	0,7	0,4
LCY 14 S	1/2	LCY 14 MMS	12	1,4	1,2	0,7
LCY 15 S/MMS	5/8	LCY 15 S/MMS	16	1,3	1,1	0,7
LCY 16 S	3/4	LCY 16 MMS	18	1,3	1,1	0,7
LCY 25 S/MMS	5/8	LCY 25 S/MMS	16	2,1	1,8	1,1
LCY 26 S	3/4	LCY 26 MMS	18	2,1	1,8	1,1
LCY 27 S/MMS	7/8	LCY 27 S/MMS	22	2,0	1,7	1,1
LCY 47 S/MMS	7/8	LCY 47 S/MMS	22	2,8	2,4	1,5
LCY 49 S	1 1/8	LCY 49 MMS	28	3,6	3,1	1,9
LCY 69 S	1 1/8	LCY 69 MMS	28	4,8	4,1	2,6
LCY 89 S	1 1/8	LCY 89 MMS	28	6,6	5,6	3,5
LCY 611 S/MMS	1 3/8	LCY 611 S/MMS	35	4,6	3,9	2,4
LCY 811 S/MMS	1 3/8	LCY 811 S/MMS	35	6,2	5,3	3,3
LCY 813 S	1 5/8	LCY 813 MMS	42	5,9	5,1	3,1
LCY 1011 S/MMS	1 3/8	LCY 1011 S/MMS	35	8,1	6,9	4,3
LCY 1013 S	1 5/8	LCY 1013 MMS	42	7,7	6,6	4,1
LCY 1517 S/MMS	2 1/8	LCY 1517 S/MMS	54	12,3	10,5	6,5
LCY 1817 S/MMS	2 1/8	LCY 1817 S/MMS	54	17,4	15,0	9,3
LCY 3617 S/MMS	2 1/8	LCY 3617 S/MMS	54	27,2	23,3	14,5
LCY 3621 S	2 5/8	LCY 3621 MMS	67	26,0	22,3	13,8
LCY 3625 S	3 1/8	LCY 3625 MMS	80	24,6	21,1	13,1
LCY 5021 S	2 5/8	LCY 5021 MMS	67	42,0	36,1	22,4
LCY 5025 S	3 1/8	LCY 5025 MMS	80	39,9	34,3	21,2
LCY 7025 S	3 1/8	LCY 7025 MMS	80	59,1	50,7	31,4
LCY 7029 S	3 5/8	LCY 7029 MMS	89	56,7	48,6	30,1
LCY-ST						
LCY-ST 89 S	1 1/8	/	/	6,6	5,6	3,5
LCY-ST 1011 S/MMS	1 3/8	LCY-ST 1011 S/MMS	35	8,1	6,9	4,3
LCY-ST 1013 S	1 5/8	LCY-ST 1013 MMS	42	7,7	6,6	4,1

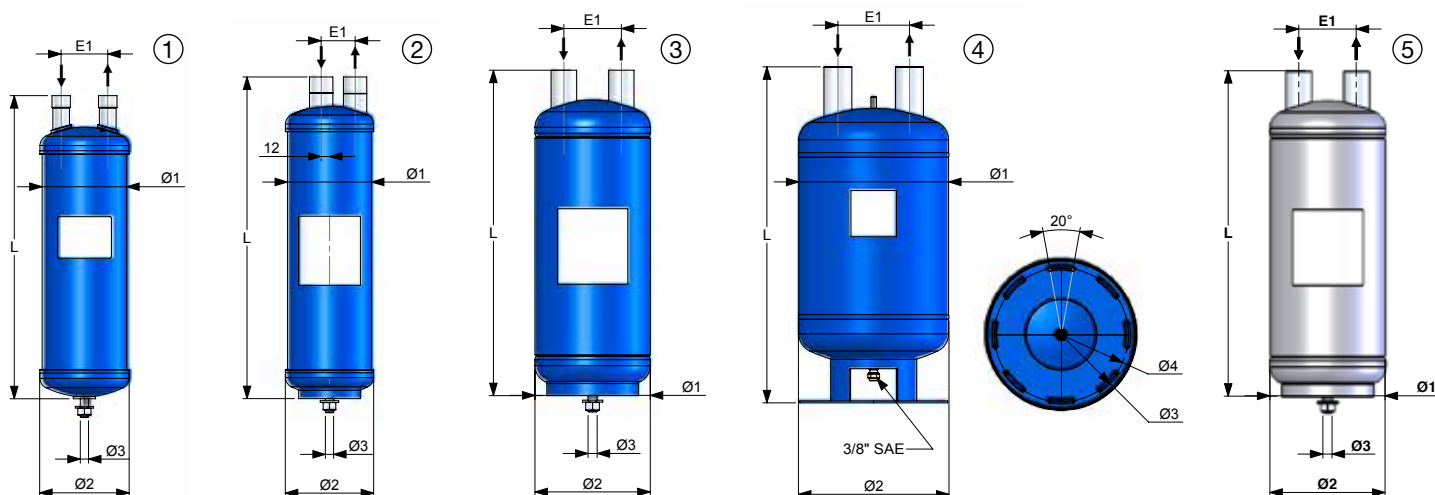


Suction line accumulators

→ LCY (without heat exchanger) / LCY-ST (stainless steel without heat exchanger)

■ Technical features

CARLY references		Drawing Nb	Dimensions mm						Possible retention volume L
			Ø1	Ø2	L	E1	Ø3	Ø4	
LCY 04 S	LCY 04 MMS	1	88,9	95	210	50	M10	/	0,09
LCY 14 S	LCY 14 MMS	1	88,9	95	301	50	M10	/	0,09
LCY 15 S/MMS		1	88,9	95	301	48	M10	/	0,10
LCY 16 S	LCY 16 MMS	1	88,9	95	301	37	M10	/	0,12
LCY 25 S/MMS		1	101,6	109	365	56	M10	/	0,13
LCY 26 S	LCY 26 MMS	1	101,6	109	365	56	M10	/	0,12
LCY 27 S/MMS		1	101,6	109	375	56	M10	/	0,14
LCY 47 S/MMS		1	101,6	109	488	56	M10	/	0,14
LCY 49 S	LCY 49 MMS	2	121,0	128	464	49	M12	/	0,16
LCY 69 S	LCY 69 MMS	3	152,4	156	430	76	M12	/	0,21
LCY 89 S	LCY 89 MMS	3	152,4	156	528	76	M12	/	0,21
LCY 611 S/MMS		3	152,4	156	436	76	M12	/	0,25
LCY 811 S/MMS		3	152,4	156	534	76	M12	/	0,25
LCY 813 S	LCY 813 MMS	3	152,4	156	534	73	M12	/	0,25
LCY 1011 S/MMS		3	152,4	156	644	76	M12	/	0,25
LCY 1013 S	LCY 1013 MMS	3	152,4	156	644	73	M12	/	0,25
LCY 1517 S/MMS		4	219,1	224	638	114	8 x Ø 10,2	190	0,48
LCY 1817 S/MMS		4	219,1	224	788	114	8 x Ø 10,2	190	0,48
LCY 3617 S/MMS		4	323,9	330	686	155	8 x Ø 10,2 x 50	290	1,60
LCY 3621 S	LCY 3621 MMS	4	323,9	330	727	155	8 x Ø 10,2 x 50	290	1,80
LCY 3625 S	LCY 3625 MMS	4	323,9	330	727	155	8 x Ø 10,2 x 50	290	2,10
LCY 5021 S	LCY 5021 MMS	4	323,9	330	927	155	8 x Ø 10,2 x 50	290	1,80
LCY 5025 S	LCY 5025 MMS	4	323,9	330	927	155	8 x Ø 10,2 x 50	290	2,10
LCY 7025 S	LCY 7025 MMS	4	323,9	330	1177	155	8 x Ø 10,2 x 50	290	2,10
LCY 7029 S	LCY 7029 MMS	4	323,9	330	1177	155	8 x Ø 10,2 x 50	290	2,30
LCY-ST									
LCY-ST 89 S	/	5	168,3	172	447	76	M10	/	0,17
LCY-ST 1011 S/MMS		5	168,3	172	645	73	M10	/	0,20
LCY-ST 1013 S/MMS		5	168,3	172	644	73	M10	/	0,20





Suction line accumulators

➔ **LCY** (without heat exchanger) / **LCY-ST** (stainless steel without heat exchanger)

■ Technical features

CARLY references		Volume V L	Maximal working pressure PS bar	Working pressure (1) PS BT bar	Maximal working temperature TS maxi °C	Minimal working temperature TS mini °C	Working temperature (1) TS BT °C	CE Category (2)
LCY 04 S	LCY 04 MMS	0,9	46	15	100	-40	-30	Art4§3
LCY 14 S	LCY 14 MMS	1,5	46	15	100	-40	-30	I
LCY 15 S/MMS		1,5	46	15	100	-40	-30	I
LCY 16 S	LCY 16 MMS	1,5	46	15	100	-40	-30	I
LCY 25 S/MMS		2,3	46	15	100	-40	-30	I
LCY 26 S	LCY 26 MMS	2,3	46	15	100	-40	-30	I
LCY 27 S/MMS		2,3	46	15	100	-40	-30	I
LCY 47 S/MMS		3,2	46	15	100	-40	-30	I
LCY 49 S	LCY 49 MMS	4,2	46	15	100	-40	-30	I
LCY 69 S	LCY 69 MMS	5,8	33	15	100	-40	-30	I
LCY 89 S	LCY 89 MMS	7,6	26	15	100	-40	-30	I
LCY 611 S/MMS		5,8	33	15	100	-40	-30	I
LCY 811 S/MMS		7,4	27	15	100	-40	-30	I
LCY 813 S	LCY 813 MMS	7,4	27	15	100	-40	-30	I
LCY 1011 S/MMS		9,3	46	15	100	-40	-30	II
LCY 1013 S	LCY 1013 MMS	9,3	46	15	100	-40	-30	II
LCY 1517 S/MMS		15,2	45	15	100	-40	-30	II
LCY 1817 S/MMS		20,2	45	15	100	-40	-30	II
LCY 3617 S/MMS		35,4	27	15	100	-40	-30	II
LCY 3621 S	LCY 3621 MMS	35,6	27	15	100	-40	-30	II
LCY 3625 S	LCY 3625 MMS	35,9	27	15	100	-40	-30	II
LCY 5021 S	LCY 5021 MMS	50,6	42	15	100	-40	-30	III
LCY 5025 S	LCY 5025 MMS	50,9	42	15	100	-40	-30	III
LCY 7025 S	LCY 7025 MMS	70,9	42	15	100	-40	-30	III
LCY 7029 S	LCY 7029 MMS	71,1	42	15	100	-40	-30	III
LCY-ST								
LCY-ST 89 S	/	7,4	26 ⁽³⁾	/	80	-80 ⁽³⁾	/	I
LCY-ST 1011 S/MMS	LCY-ST 1011 S/MMS	11,4	26 ⁽³⁾	/	80	-80 ⁽³⁾	/	II
LCY-ST 1013 S	LCY-ST 1013 MMS	11,4	26 ⁽³⁾	/	80	-80 ⁽³⁾	/	II

⁽¹⁾ The working pressure is limited to the PS BT value when working temperature is lower than or equal to TS BT value.

⁽²⁾ Classification by volume, according to PED 2014/68/EU (refer to chapter 0).

⁽³⁾ Limitation of the working pressures PSBT depending on the temperatures: 15 bar from -30°C to -50°C
8 bar from -50°C to -80°C.



Suction line accumulators

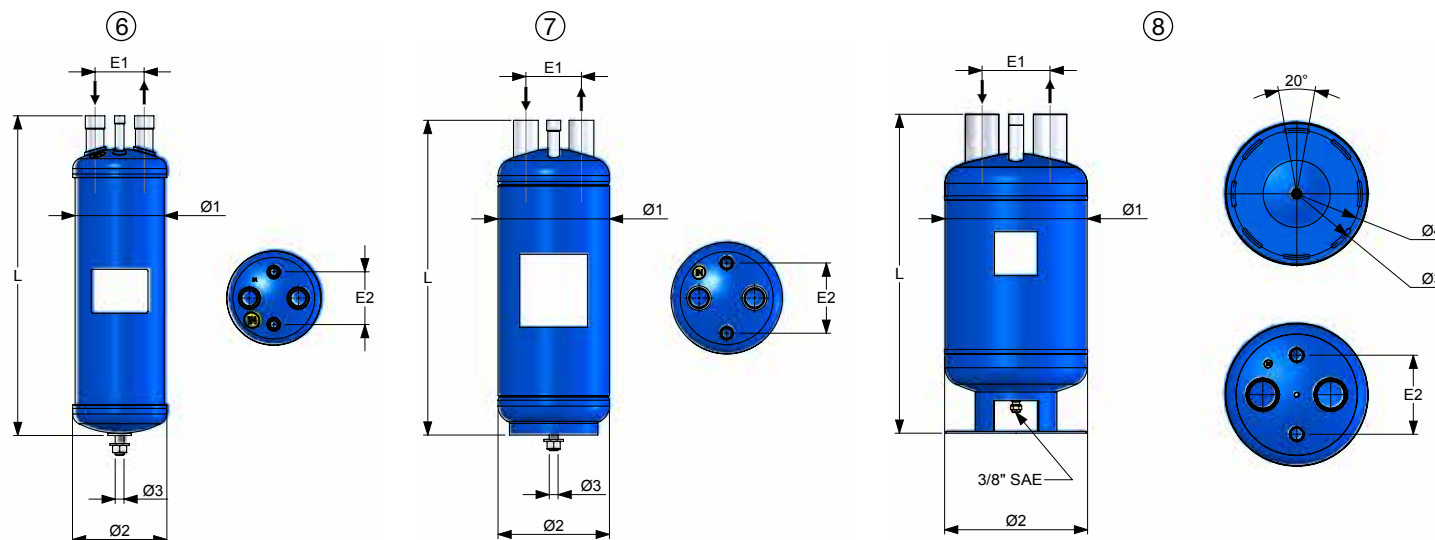
→ LCYE (with heat exchanger)

■ Selection table

CARLY references	Connections to solder ODF inch	Heat exchangers connections to solder ODF inch	CARLY references	Connections to solder ODF mm	Heat exchangers connections to solder ODF mm	Capacity of accumulator kg of refrigerant at 30 °C		
						R134a R407C R22 - R407F	R404A R410A R507	R744
LCYE 25 S	5/8	3/8	LCYE 25 MMS	16	10	2,1	1,8	1,1
LCYE 26 S	3/4	3/8	LCYE 26 MMS	18	10	2,1	1,8	1,1
LCYE 47 S	7/8	1/2	LCYE 47 MMS	22	12	2,8	2,4	1,5
LCYE 69 S	1 1/8	5/8	LCYE 69 MMS	28	16	4,8	4,1	2,6
LCYE 811 S/MMS	1 3/8	5/8	LCYE 811 S/MMS	35	16	6,2	5,3	3,3
LCYE 1013 S	1 5/8	3/4	LCYE 1013 MMS	42	18	7,7	6,6	4,1
LCYE 1517 S/MMS	2 1/8	7/8	LCYE 1517 S/MMS	54	22	12,3	10,5	6,5
LCYE 3621 S	2 5/8	1 1/8	LCYE 3621 MMS	67	28	26,0	22,3	13,8
LCYE 3625 S	3 1/8	1 3/8	LCYE 3625 MMS	80	35	24,6	21,1	13,1

■ Technical features

CARLY references	Drawing Nb	Dimensions mm								Possible retention volume L
		Ø1	Ø2	L	E1	E2	Ø3	Ø4		
LCYE 25 S	LCYE 25 MMS	6	101,6	109	365	56	60	M10	/	0,13
LCYE 26 S	LCYE 26 MMS	6	101,6	109	365	56	60	M10	/	0,12
LCYE 47 S	LCYE 47 MMS	6	101,6	109	488	56	70	M10	/	0,14
LCYE 69 S	LCYE 69 MMS	7	152,4	156	430	76	96	M12	/	0,21
LCYE 811 S/MMS		7	152,4	156	534	76	96	M12	/	0,25
LCYE 1013 S	LCYE 1013 MMS	7	152,4	156	644	73	96	M12	/	0,25
LCYE 1517 S/MMS		8	219,1	224	638	114	141	8 x Ø 10,2	190	0,48
LCYE 3621 S	LCYE 3621 MMS	8	323,9	330	727	155	180	8 x Ø 10,2 x 50	290	1,80
LCYE 3625 S	LCYE 3625 MMS	8	323,9	330	727	155	180	8 x Ø 10,2 x 50	290	2,10





Suction line accumulators

→ LCYE (with heat exchanger)

■ Technical features

CARLY references		Volume V L	Maximal working pressure PS bar	Working pressure (1) PS BT bar	Maximal working temperature TS maxi °C	Minimal working temperature TS mini °C	Working temperature (1) TS BT °C	CE Category (2)
LCYE 25 S	LCYE 25 MMS	2,3	46	15	100	-40	-30	I
LCYE 26 S	LCYE 26 MMS	2,3	46	15	100	-40	-30	I
LCYE 47 S	LCYE 47 MMS	3,2	46	15	100	-40	-30	I
LCYE 69 S	LCYE 69 MMS	5,8	33	15	100	-40	-30	I
LCYE 811 S/MMS		7,3	27	15	100	-40	-30	I
LCYE 1013 S	LCYE 1013 MMS	9,3	33	15	100	-40	-30	II
LCYE 1517 S/MMS		15,2	33	15	100	-40	-30	II
LCYE 3621 S	LCYE 3621 MMS	35,6	27	15	100	-40	-30	II
LCYE 3625 S	LCYE 3625 MMS	35,0	27	15	100	-40	-30	II

(1) The working pressure is limited to the PS BT value when working temperature is lower than or equal to TS BT value.

(2) Classification by volume, according to PED 2014/68/EU (refer to chapter 0).

→ LCY (without heat exchanger) / LCYE (with heat exchanger) / LCY-ST (stainless steel without heat exchanger)

■ Weights and packaging

CARLY references	Unit weight kg		Packaging number of pieces	CARLY references	Unit weight kg		Packaging number of pieces
	With packaging	Without packaging			With packaging	Without packaging	
LCY 04 S & MMS	1,27	1,16	6	LCY 3621 S & MMS	47,10	45,70	1
LCY 14 S & MMS	1,73	1,61	6	LCY 3625 S & MMS	48,75	47,35	1
LCY 15 S/MMS	1,82	1,71	6	LCY 5021 S & MMS	58,50	57,10	1
LCY 16 S & MMS	1,98	1,86	6	LCY 5025 S & MMS	60,50	59,10	1
LCY 25 S/MMS	2,48	2,24	1	LCY 7025 S & MMS	76,40	75,00	1
LCY 26 S & MMS	3,60	3,20	1	LCY 7029 S & MMS	80,40	79,00	1
LCY 27 S/MMS	2,71	2,48	1	LCY-ST 89 S	9,00	8,50	1
LCY 47 S/MMS	3,38	3,14	1	LCY-ST 1011 S/MMS	15,10	14,50	1
LCY 49 S & MMS	5,54	5,27	1	LCY-ST 1013 S & MMS	15,60	15,00	1
LCY 69 S & MMS	6,85	6,53	1	LCYE 25 S & MMS	2,73	2,49	1
LCY 89 S & MMS	8,18	7,85	1	LCYE 26 S & MMS	2,92	2,69	1
LCY 611 S/MMS	9,45	9,10	1	LCYE 47 S & MMS	3,38	3,14	1
LCY 811 S/MMS	9,74	9,41	1	LCYE 69 S & MMS	7,44	7,12	1
LCY 813 S & MMS	11,95	11,60	1	LCYE 811 S/MMS	10,60	10,40	1
LCY 1011 S/MMS	11,89	11,39	1	LCYE 1013 S & MMS	13,25	12,80	1
LCY 1013 S & MMS	12,57	11,92	1	LCYE 1517 S/MMS	22,35	21,85	1
LCY 1517 S/MMS	18,70	17,50	1	LCYE 3621 S & MMS	48,90	47,50	1
LCY 1817 S/MMS	26,00	24,80	1	LCYE 3625 S & MMS	53,40	52,00	1
LCY 3617 S/MMS	45,40	42,90	1				